

Vanity Legs INSTALLATION INSTRUCTIONS

Prior to Installation:

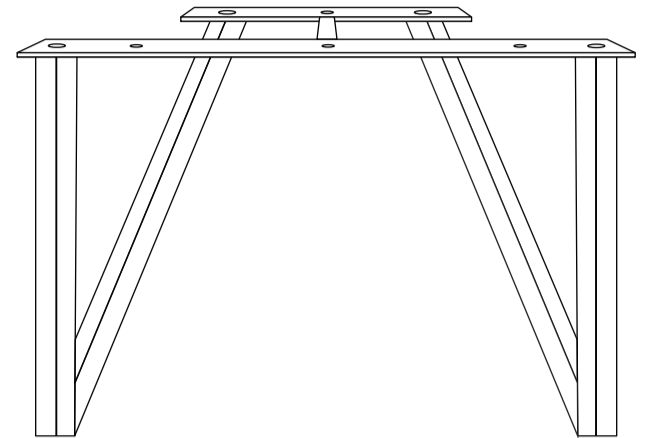
- Inspect product to ensure no damages have occurred while in shipping.
- The step-by-step guidelines in the installation instructions are a general reference. Should there be any discrepancies, Swiss Madison cannot be held liable. It is recommended to install all Swiss Madison products by hiring a licensed professional.
- Read installation instructions thoroughly before installing. Be sure to use proper tools and always wear proper personal safety accessories for your protection.

Recommended Tools:

- Screwdriver

Included Parts:

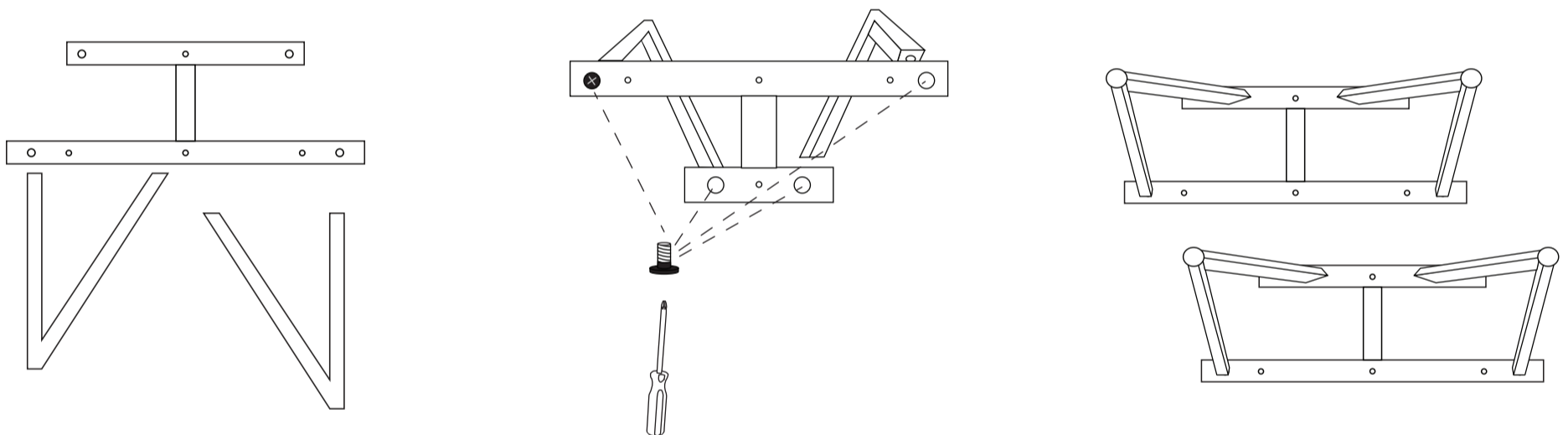
- Two Legs
- Hardware



For Compatible Swiss Madison Models:

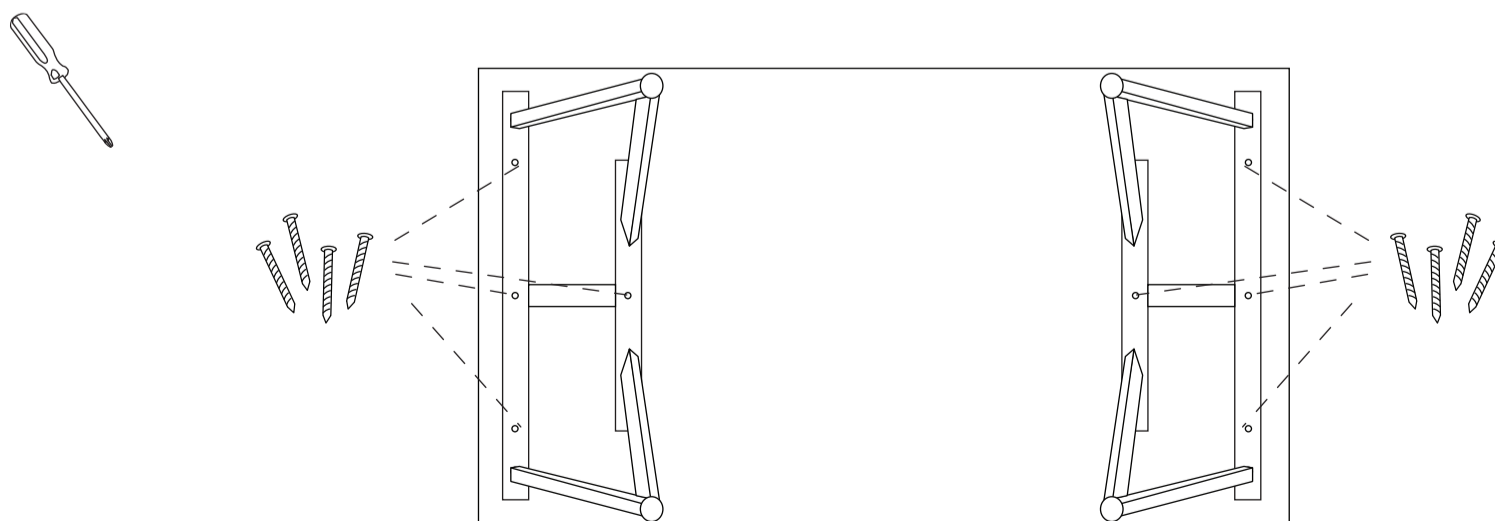
1. Assemble Legs

- Attach legs to the base using included screws.



2. Attach Legs to Vanity

- Screw legs to the bottom of the vanity using included screws.



Vanity Legs INSTALLATION INSTRUCTIONS

Swiss Madison®
well made forever

Prior to Installation:

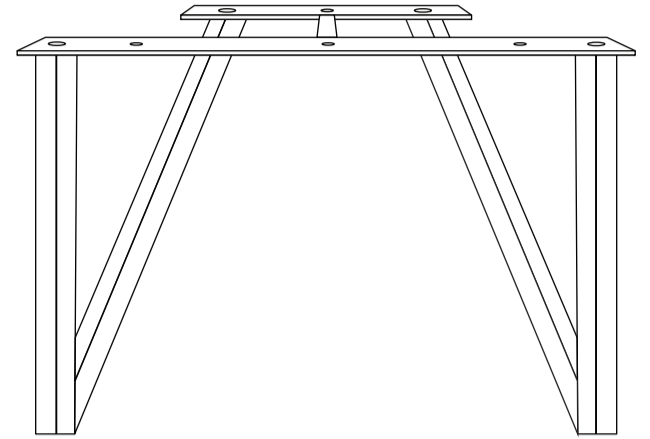
- Inspect product to ensure no damages have occurred while in shipping.
- The step-by-step guidelines in the installation instructions are a general reference. Should there be any discrepancies, Swiss Madison cannot be held liable. It is recommended to install all Swiss Madison products by hiring a licensed professional.
- Read installation instructions thoroughly before installing. Be sure to use proper tools and always wear proper personal safety accessories for your protection.

Recommended Tools:

- Drill
- Level

Included Parts:

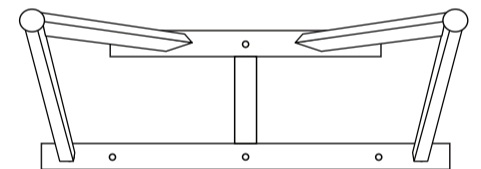
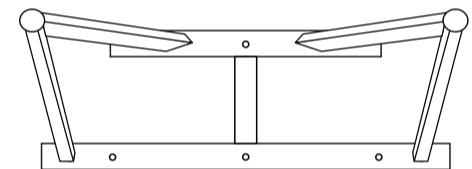
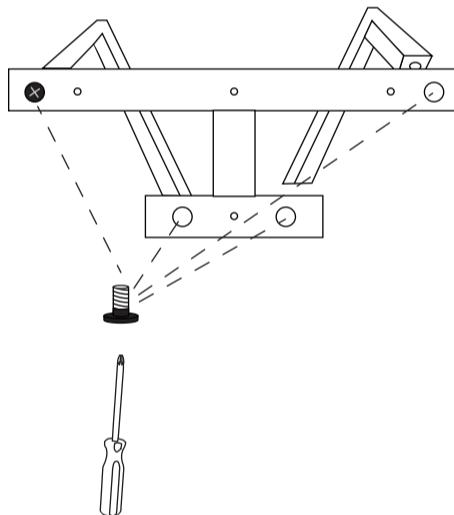
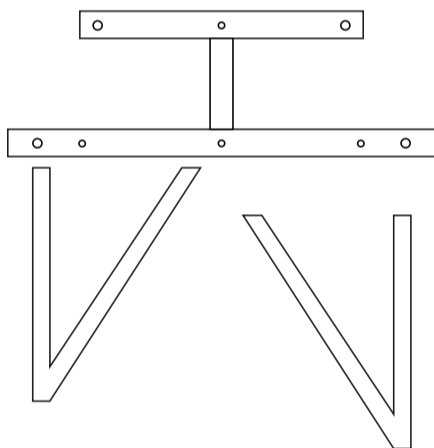
- Two Legs
- Hardware



For Custom Mounting:

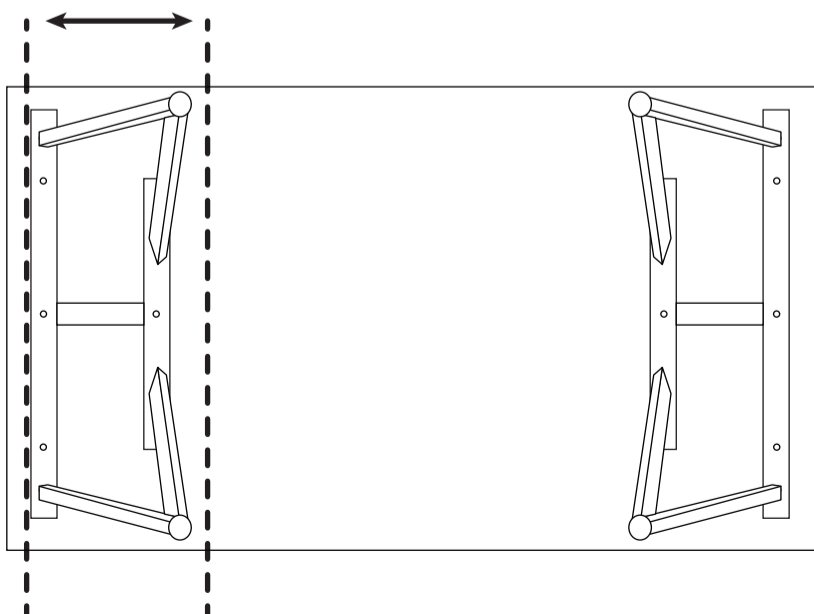
1. Assemble Legs

- Attach legs to the base using included screws.



2. Mark Leg Placement

- Determine desired leg location on the base of your vanity.
- Make sure the legs are parallel to the outer straight edge of the vanity base.
- Repeat for both sides of the vanity.



3. Attach Legs to Vanity

- Use an electric drill and the provided screws to secure the legs to the vanity base.
- Be mindful when drilling to not go through the vanity base and into the cabinet cavity.

